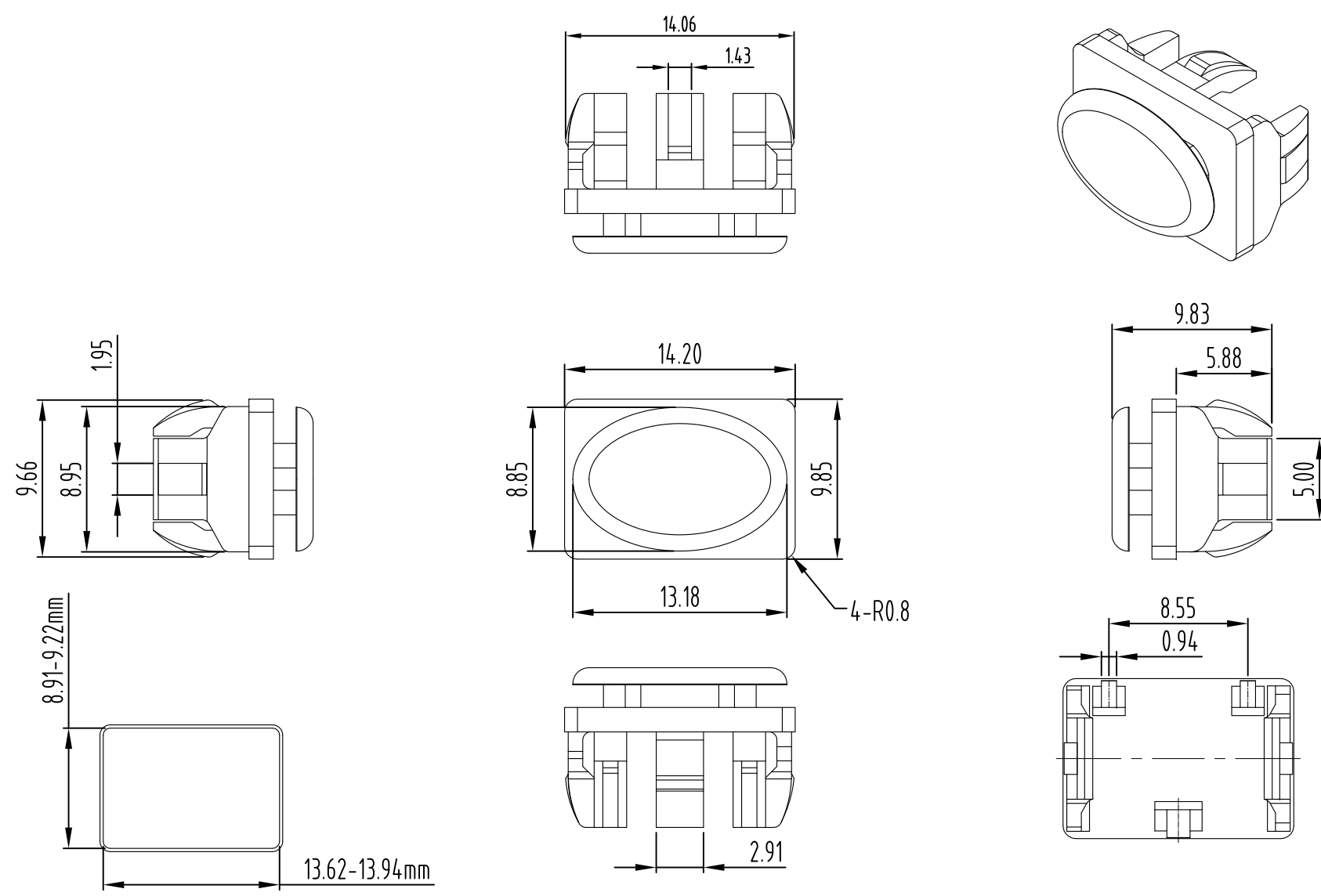


1 2 3 4 5 6 7 8

H
G
F
E
D
C
B
A



THE DIMENSION OF MATE HOLES

TITLE				佛山市寰宇通信科技有限公司					
SFP 1X1 Dust Cover				GENERAL TOLERANCE		UNIT:MM		SIZE: A4	
PART NO.				SCALE: 1:1		SHEET:1/1		REV:A	
HT10-0011001-001				.X±0.20		.X±1'			
DRAW		Iror		DATE		2016-12-01		.XX±0.15	
CHECK		Iror		DATE		2016-12-01		.XX±5°	
APPROVE		Victor		DATE		2016-12-01		.XXX±0.10	

RoHS COMPLIANT

THIS DRAWING IS A CONTROLLED DOCUMENT FOR Htech CORPORATION

BY Htech CORPORATION
COPYRIGHT 2016
PRODUCT DRAWING