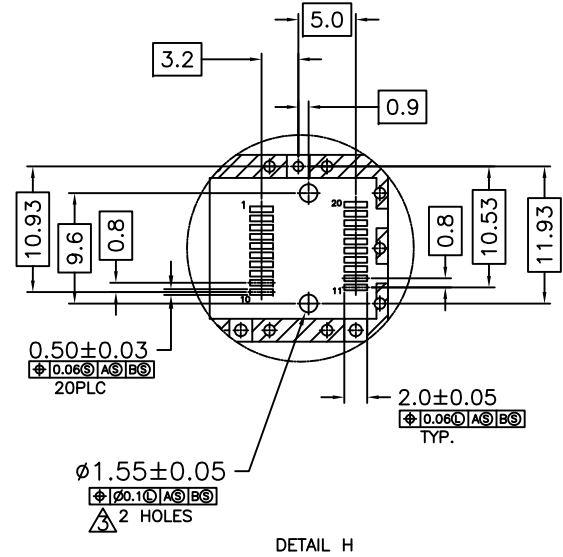
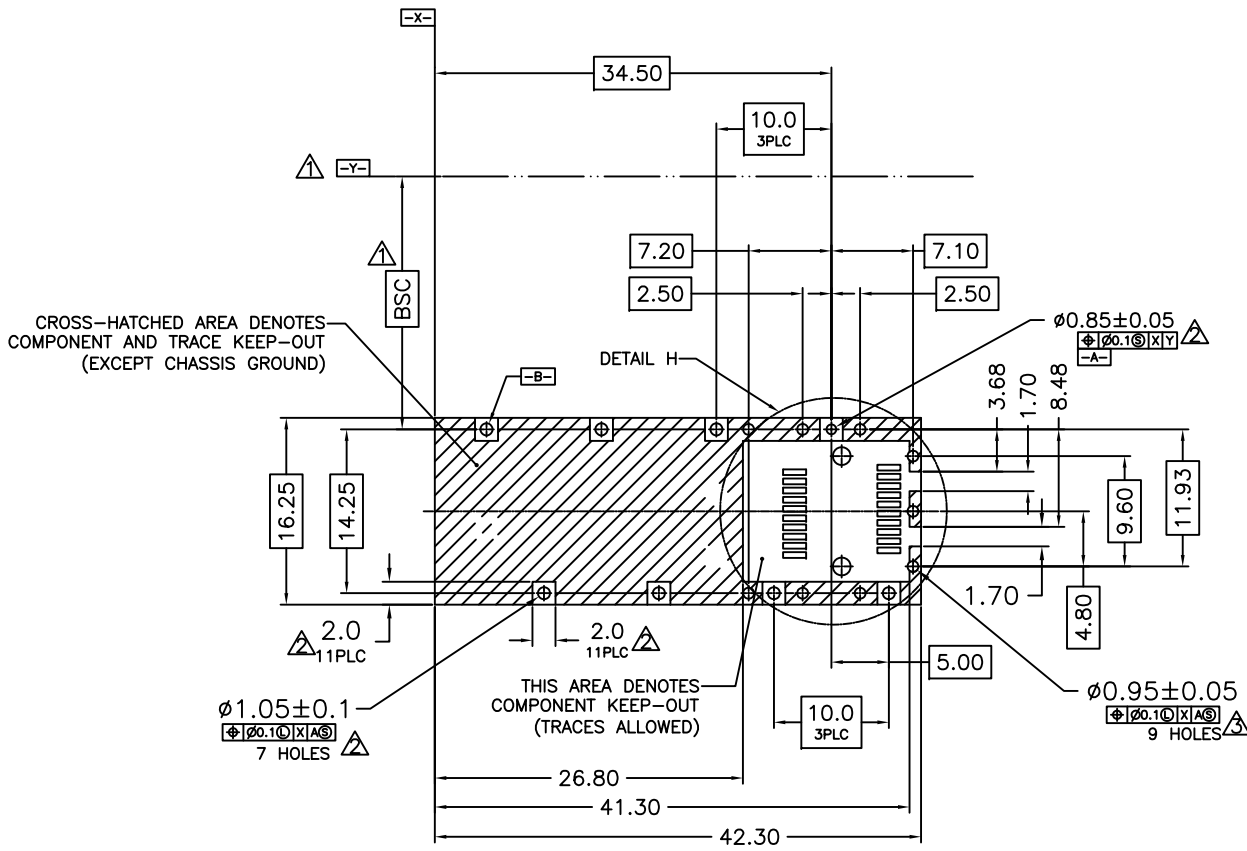


NOTES:

- 1.MATERIAL: NICKEL SILVER, THICKNESS 0.25mm
- 2.PACKAGING: TRAY PACKAGING
- 3.TEMPERATURE RANGE: -55°C TO +85°C

TITLE SFP 1X1 CAGE PRESS-FIT TYPE				佛山市寰威通信科技有限公司				
PART NO. HT10-1N31120-00N				GENERAL TOLERANCE			UNIT:MM(INCH)	SIZE: A4
DRAW	Iror	DATE	2016-11-30	.X±0.20	.X±1'	SCALE: 1:1	SHEET:1/3	REV:A
CHECK	Iror	DATE	2016-11-30	.XX±0.15	.XX±5'			
APPROVE	Victor	DATE	2016-11-30	.XXX±0.10				

RoHS COMPLIANT



CROSS-HATCHED AREA DENOTES COMPONENT AND TRACE KEEP-OUT (EXCEPT CHASSIS GROUND)

THIS AREA DENOTES COMPONENT KEEP-OUT (TRACES ALLOWED)

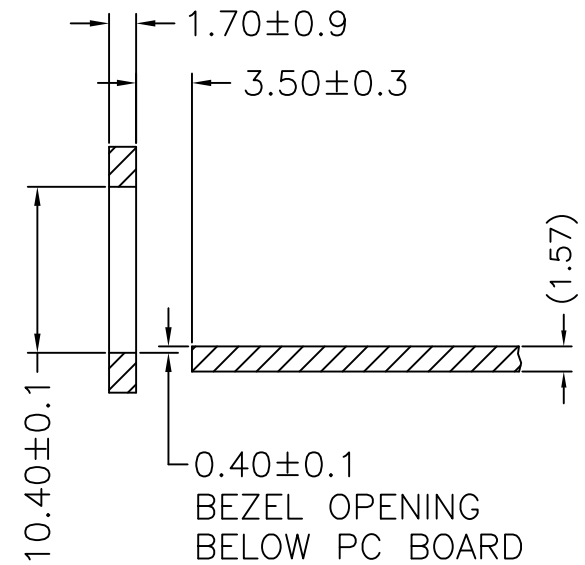
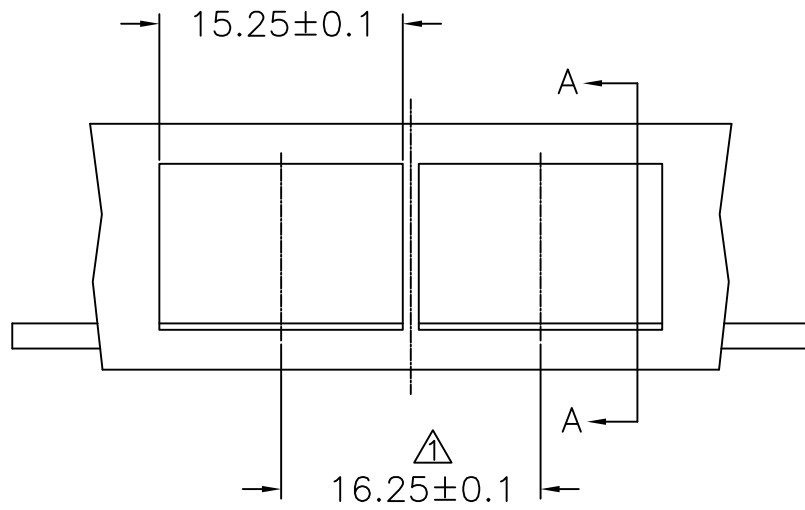
ECOMMENDED PCB CONFIGURATION

NOTES:

- ① DATUM AND BASIC DIMENSIONS ESTABLISHED BY CUSTOMER
- ② PADS AND VIAS ARE CHASSIS GROUND
- ③ THRU HOLES, PLATING OPTIONAL

TITLE				佛山市寰威通信科技有限公司				
SFP 1X1 CAGE PRESS-FIT TYPE								
PART NO.				GENERAL TOLERANCE			UNIT:MM(INCH)	SIZE: A4
HT10-1N31120-00N								
DRAW	Iror	DATE	2016-11-30	.X±0.20	.X±1'	SCALE: 1:1	SHEET:2/3	REV:A
CHECK	Iror	DATE	2016-11-30	.XX±0.15	.XX±5'			
APPROVE	Victor	DATE	2016-11-30	.XXX±0.10				

RoHS COMPLIANT



SECTION A-A

RECOMMENDED BEZEL DESIGN

NOTES:
 ⚠ MINIMUM PITCH ILLUSTRATED, ENGLISH DIMENSIONS ARE FOR REFERENCE ONLY

RoHS COMPLIANT

TITLE SFP 1X1 CAGE PRESS-FIT TYPE				佛山市寰威通信科技有限公司				
PART NO. HT10-1N31120-00N				GENERAL TOLERANCE			UNIT:MM(INCH)	SIZE: A4
DRAW	Iror	DATE	2016-11-30	.X±0.20	.X±1"	SCALE: 1:1	SHEET:3/3	REV:A
CHECK	Iror	DATE	2016-11-30	.XX±0.15	.XX±5"			
APPROVE	Victor	DATE	2016-11-30	.XXX±0.10				