

NOTES:

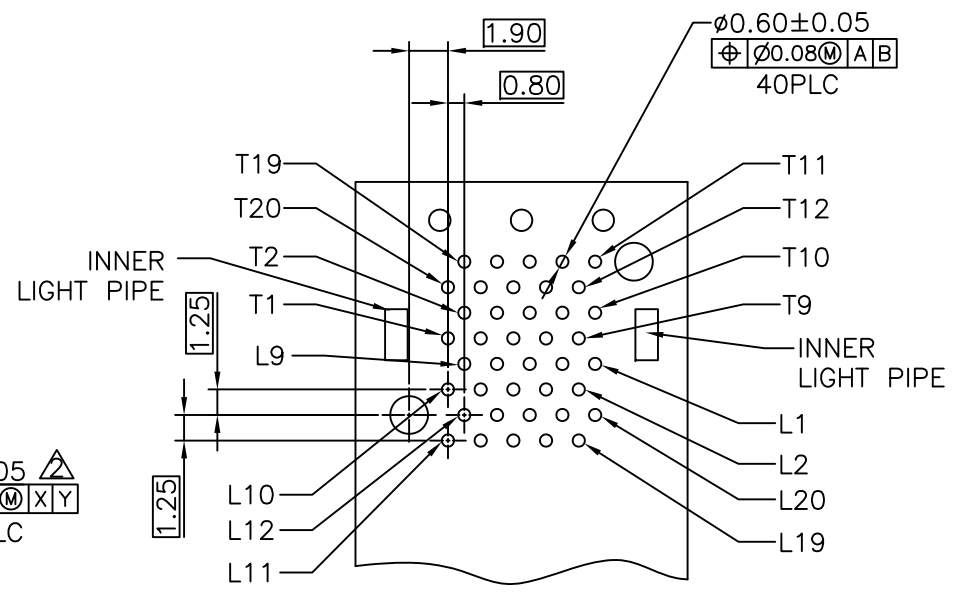
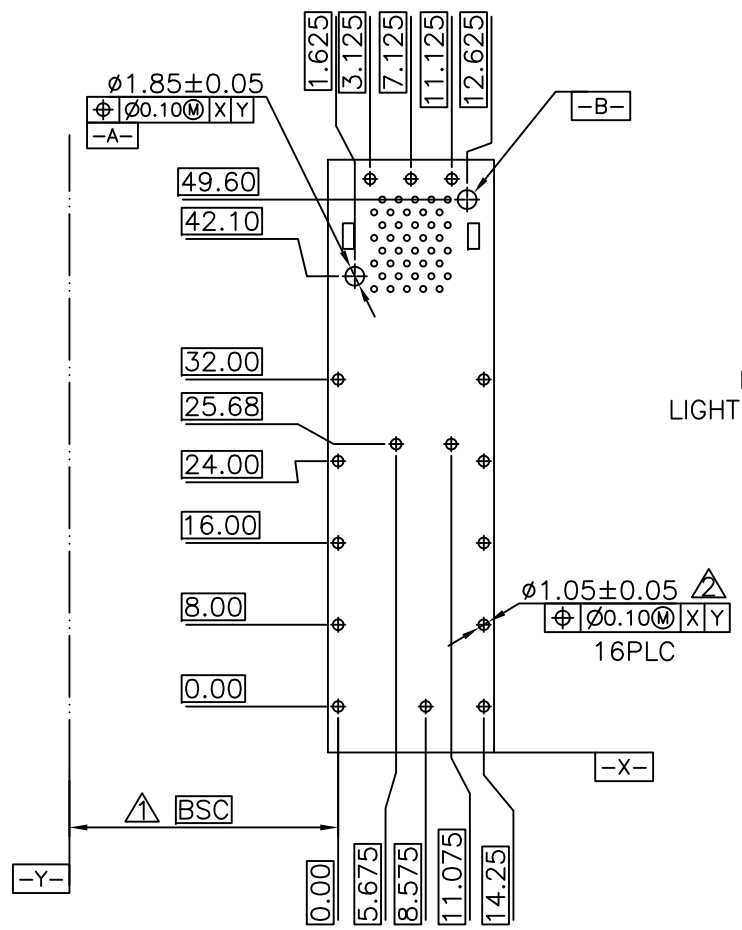
MATERIAL:  
 CAGE: NICKEL SILVER, THICKNESS 0.25mm  
 CONNECTOR:  
 PLASTIC HOUSING: HIGH TEMPERATURE LCP, UL94 V-0.  
 SPRING: STAINLESS STEEL, THICKNESS 0.20mm  
 CONTACTS: PHOSPHOR BRONZE, THICKNESS 0.20mm  
 PLATING: 15μ" MIN. GOLD ON MATING AREA,  
 150μ" MIN. MATE TIN ON SOLDER TAILS.

PACKAGING: TRAY PACKAGING.

TEMPERATURE RANGE: -40°C TO +85°C

TITLE				佛山市寰威通信科技有限公司					
SFP 2X1 CAGE+CONNECTOR									
PART NO.				GENERAL TOLERANCE			UNIT:MM	SIZE: A4	
HT10-1N3A230-06B									
DRAW	Iror	DATE	2017-03-02	.X±0.20	.X±1'	SCALE: 1:1		SHEET:1/3	REV:A
CHECK	Iror	DATE	2017-03-02	.XX±0.15	.XX±5'				
APPROVE	Victor	DATE	2017-03-02	.XXX±0.10					

RoHS COMPLIANT



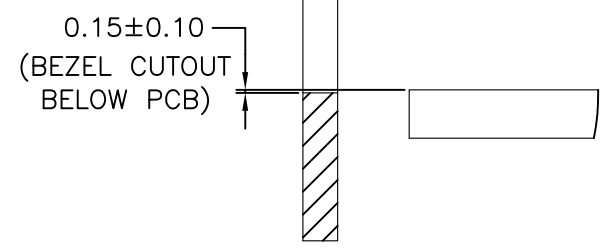
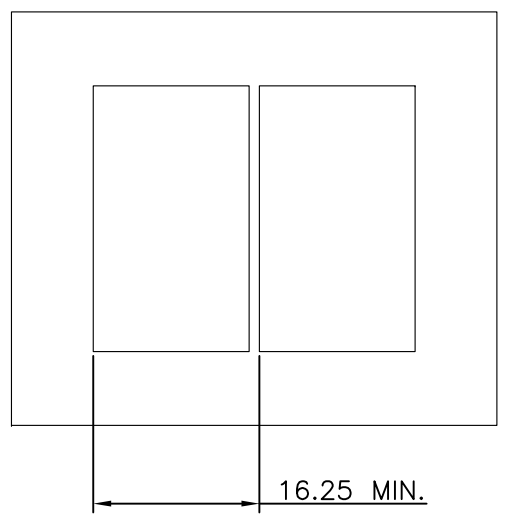
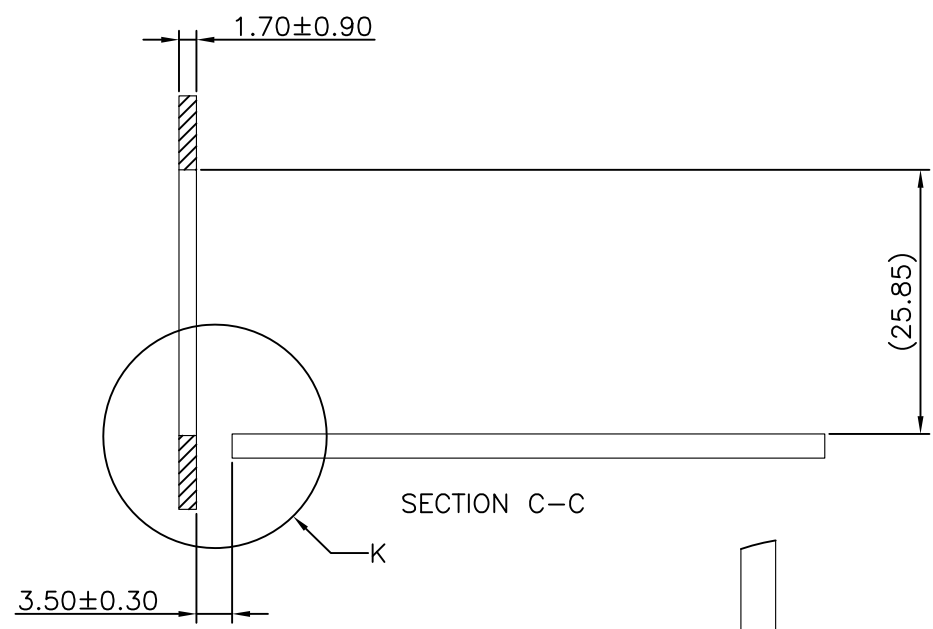
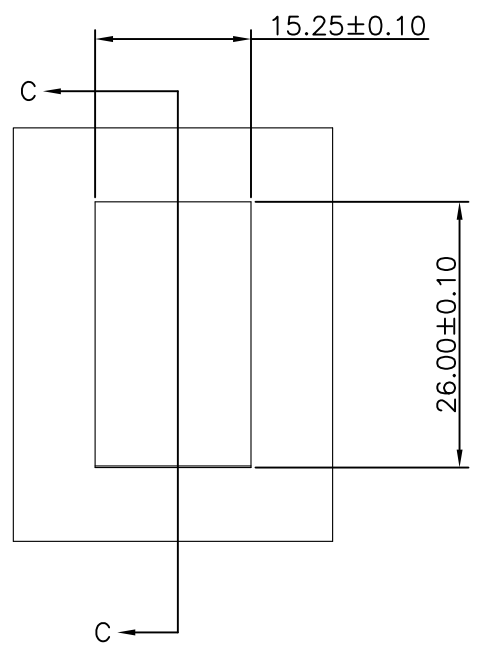
ECOMMENDED PCB CONFIGURATION

NOTES:

1. DATUM AND BASIC DIMENSIONS ESTABLISHED BY CUSTOMER.
2. 1.05 mm DIAMETER HOLES ARE CHASSIS GROUND .

RoHS COMPLIANT

TITLE SFP 2X1 CAGE+CONNECTOR				佛山市寰威通信科技有限公司				
PART NO. HT10-1N3A230-06B				GENERAL TOLERANCE			UNIT:MM	SIZE: A4
DRAW	Iror	DATE	2017-03-02	.X±0.20	.X±1'	SCALE: 1:1	SHEET:2/3	REV:A
CHECK	Iror	DATE	2017-03-02	.XX±0.15	.XX±5'			
APPROVE	Victor	DATE	2017-03-02	.XXX±0.10				



RECOMMENDED BEZEL DESIGN

DETAIL K  
2:1

RoHS COMPLIANT

TITLE SFP 2X1 CAGE+CONNECTOR				佛山市寰威通信科技有限公司				
PART NO. HT10-1N3A230-06B				GENERAL TOLERANCE			UNIT:MM	SIZE: A4
DRAW	Iror	DATE	2017-03-02	.X±0.20	.X±1°	SCALE: 1:1	SHEET:3/3	REV:A
CHECK	Iror	DATE	2017-03-02	.XX±0.15	.XX±5°			
APPROVE	Victor	DATE	2017-03-02	.XXX±0.10				