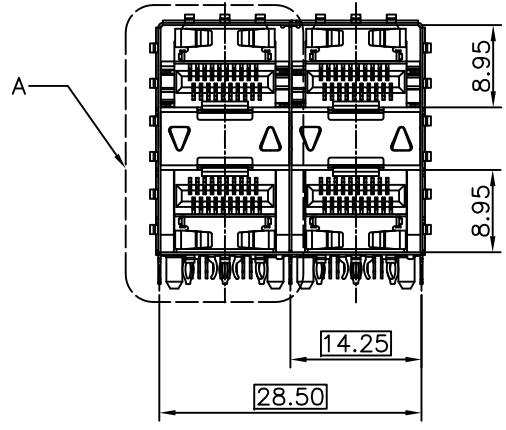
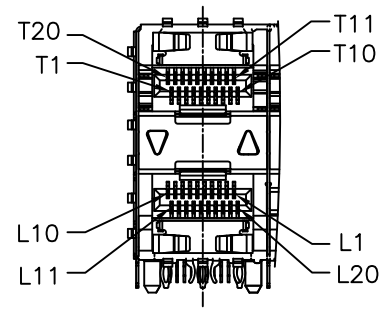
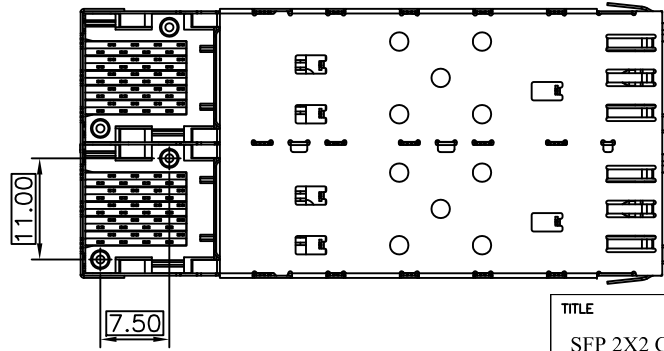
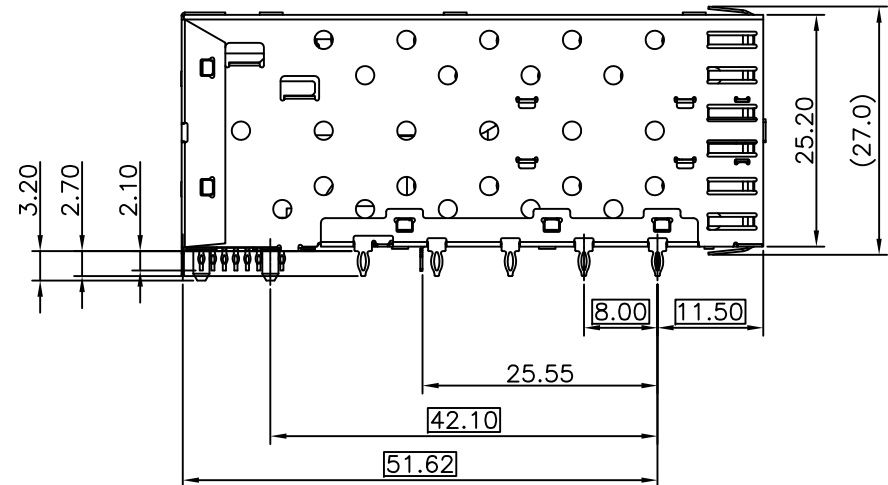
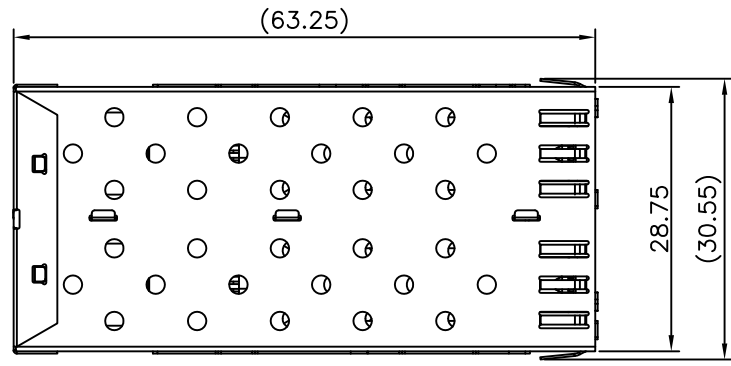


1 2 3 4 5 6 7 8

H  
G  
F  
E  
D  
C  
B  
A

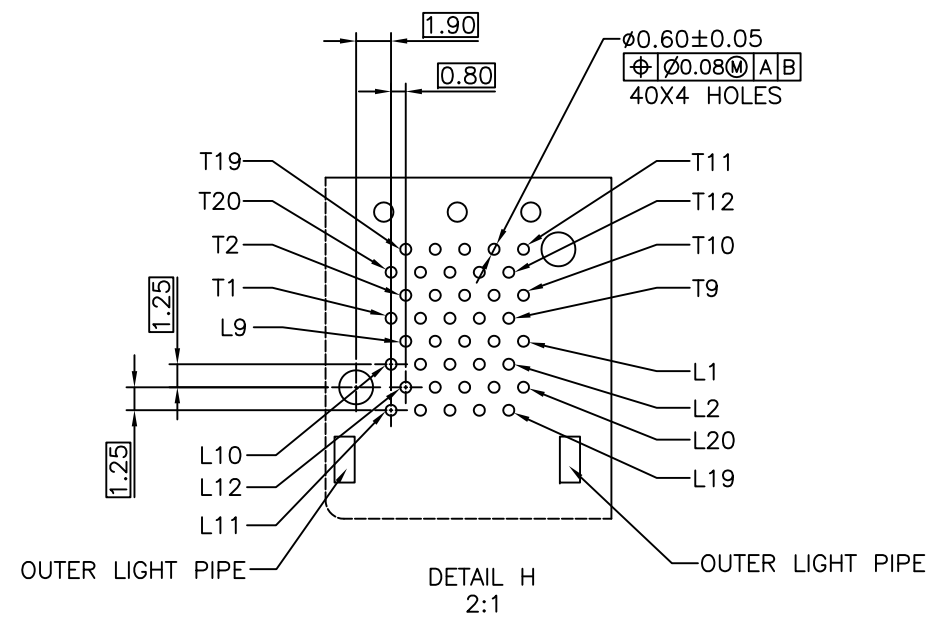
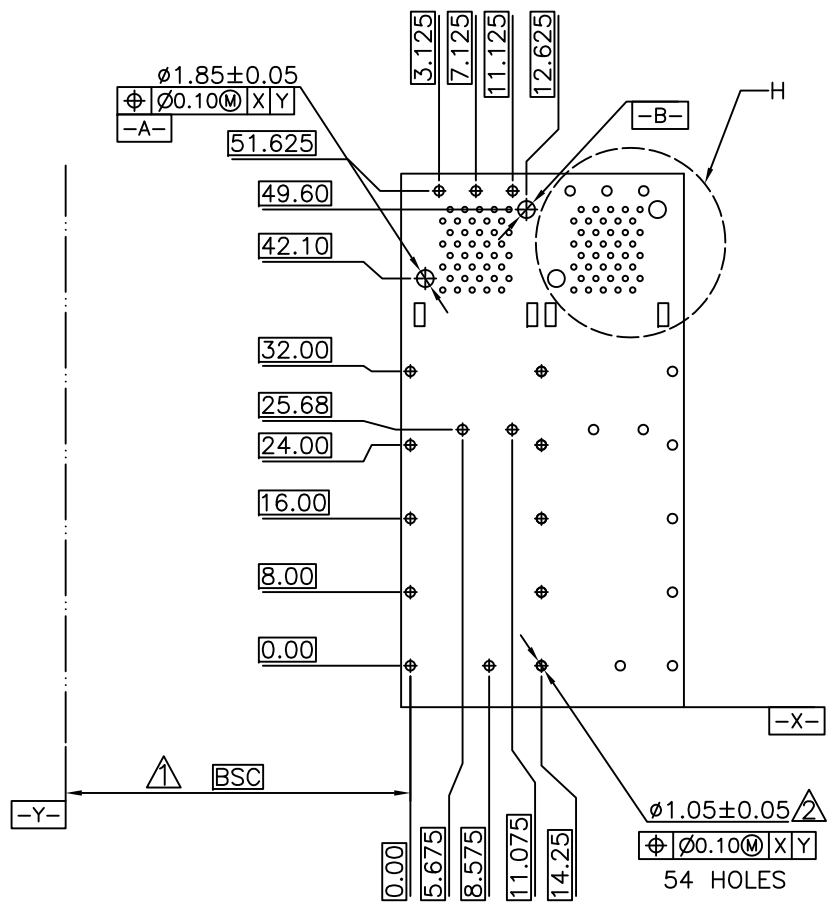


TITLE				佛山市寰威通信科技有限公司					
SFP 2X2 CAGE+CONNECTOR									
PART NO.				GENERAL TOLERANCE			UNIT:MM	SIZE: A4	
HT10-1N3B230-05B									
DRAW	Iror	DATE	2016-12-09	.X±0.20	.X±1'	SCALE: 1:1		SHEET:1/3	REV:A
CHECK	Iror	DATE	2016-12-09	.XX±0.15	.XX±5'				
APPROVE	Victor	DATE	2016-12-09	.XXX±0.10					

RoHS COMPLIANT

THIS DRAWING IS A CONTROLLED DOCUMENT FOR Htech CORPORATION

PRODUCT DRAWING © COPYRIGHT 2010 BY Htech CORPORATION



ECOMMENDED PCB CONFIGURATION

NOTES:

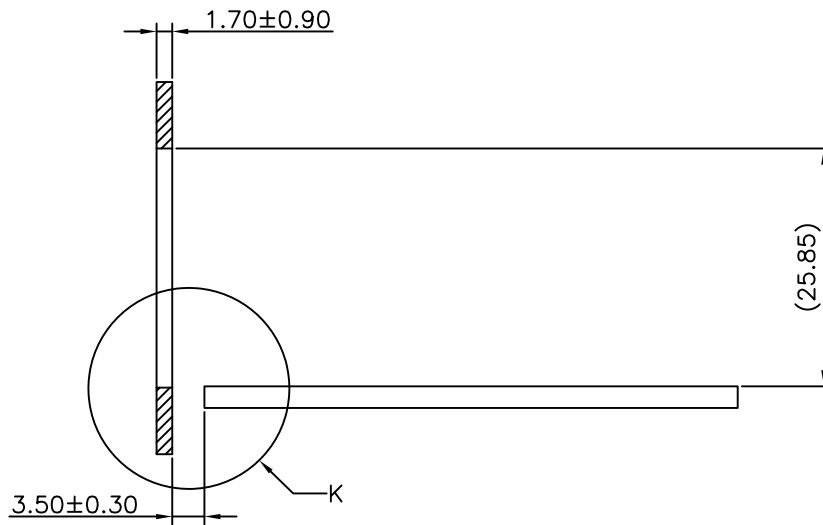
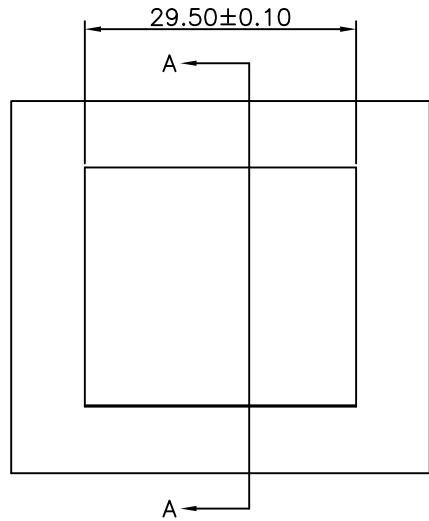
1. DATUM AND BASIC DIMENSIONS ESTABLISHED BY CUSTOMER.
2. 1.05 mm DIAMETER HOLES ARE CHASSIS GROUND (30 HOLES).

RoHS COMPLIANT

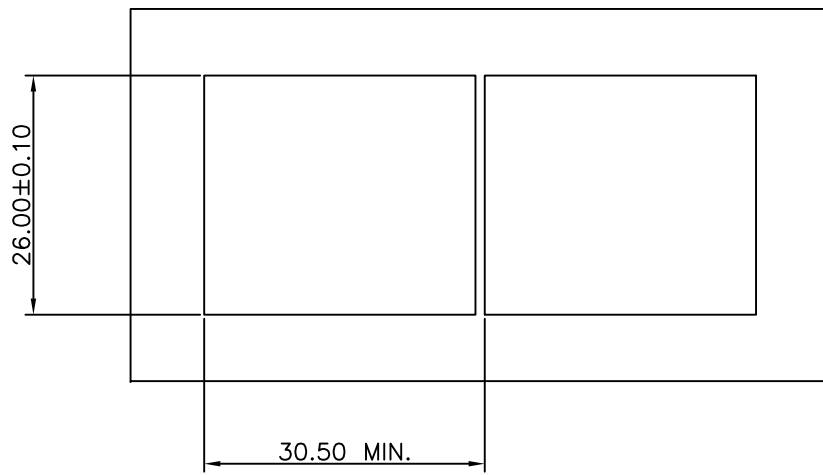
TITLE SFP 2X2 CAGE+CONNECTOR				佛山市寰威通信科技有限公司				
PART NO. HT10-1N3B230-05B				GENERAL TOLERANCE			UNIT:MM	SIZE: A4
DRAW	Iror	DATE	2016-12-09	.X±0.20	.X±1'	SCALE: 1:1	SHEET:2/3	REV:A
CHECK	Iror	DATE	2016-12-09	.XX±0.15	.XX±5'			
APPROVE	Victor	DATE	2016-12-09	.XXX±0.10				

1 2 3 4 5 6 7 8

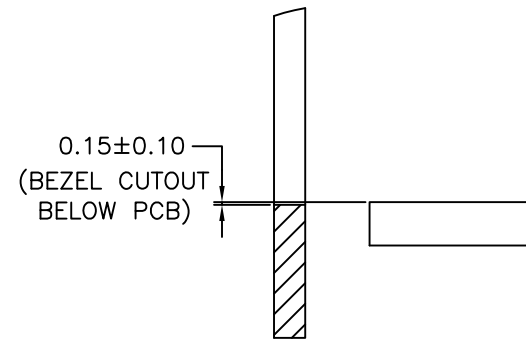
H  
G  
F  
E  
D  
C  
B  
A



SECTION A-A



RECOMMENDED BEZEL DESIGN



DETAIL K  
2:1

RoHS COMPLIANT

TITLE SFP 2X2 CAGE+CONNECTOR				佛山市寰威通信科技有限公司				
PART NO. HT10-1N3B230-05B				GENERAL TOLERANCE			UNIT:MM	SIZE: A4
DRAW	Iror	DATE	2016-12-09	.X±0.20	.X±1°	SCALE: 1:1	SHEET:3/3	REV:A
CHECK	Iror	DATE	2016-12-09	.XX±0.15	.XX±5°			
APPROVE	Victor	DATE	2016-12-09	.XXX±0.10				