

- NOTES:
- 1.MATERIAL
HOUSING: HIGH TEMPERATURE LCP, UL94 V-0.
 - 2.CONTACTS: PHOSPHOR BRONZE
PLATING :30 μ " GOLD ON MATING AREA,
100 μ " MATTE TIN PLATING ON
SOLDER TAILS, 50 μ " NICKEL
UNDERPLATING OVERALL.
 - 3.PACKAGING: TAPE AND REEL
 - 4.TEMPERATURE:
OPERATION : -40°C TO +85°C
STORAGE : -55°C TO +105°C

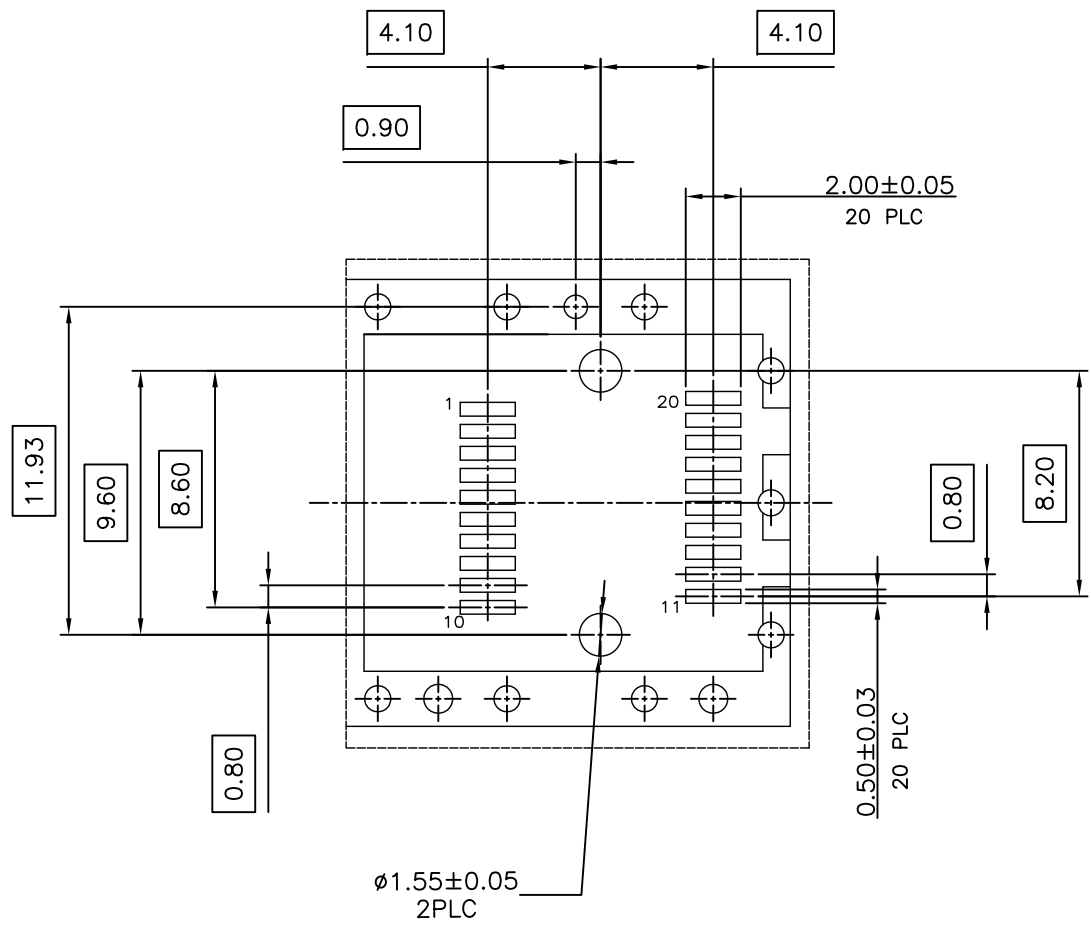
RoHS COMPLIANT

TITLE				佛山市寰威通信科技有限公司					
SFP&SFP+ 1X1 CONNECTOR									
PART NO.				GENERAL TOLERANCE			UNIT:MM	SIZE: A4	
HT10-2C2100A-00C									
DRAW	Iror	DATE	2017-03-17	.X±0.20	.X±1'	SCALE: 1:1		SHEET:1/3	REV:A
CHECK	Iror	DATE	2017-03-17	.XX±0.15	.XX±5'				
APPROVE	Victor	DATE	2017-03-17	.XXX±0.10					

THIS DRAWING IS A CONTROLLED DOCUMENT FOR Htech CORPORATION

1 2 3 4 5 6 7 8

H
G
F
E
D
C
B
A



RoHS COMPLIANT

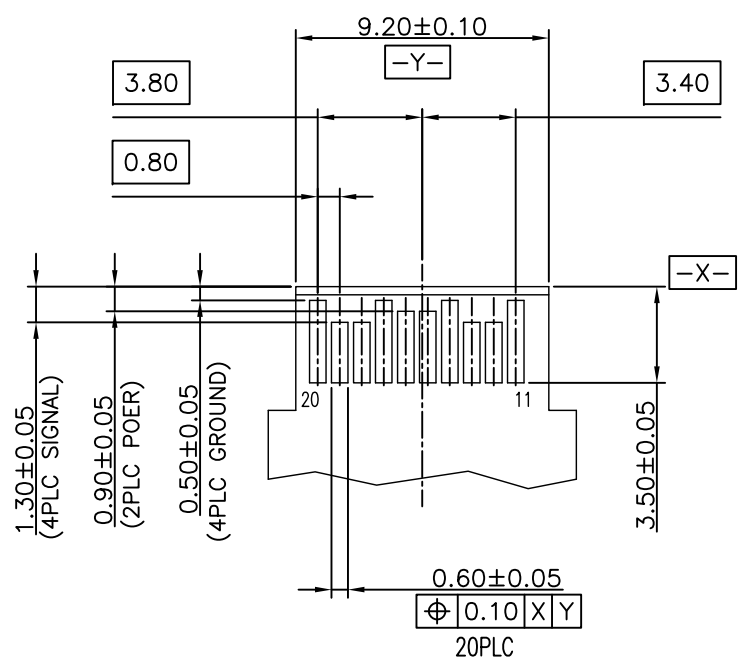
TITLE				佛山市寰威通信科技有限公司					
SFP&SFP+ 1X1 CONNECTOR									
PART NO.				GENERAL TOLERANCE			UNIT:MM	SIZE: A4	
HT10-2C2100A-00C									
DRAW	Iror	DATE	2017-03-17	.X±0.20	.X±1'	SCALE: 1:1		SHEET:2/3	REV:A
CHECK	Iror	DATE	2017-03-17	.XX±0.15	.XX±5'				
APPROVE	Victor	DATE	2017-03-17	.XXX±0.10					

THIS DRAWING IS A CONTROLLED DOCUMENT FOR Htech CORPORATION

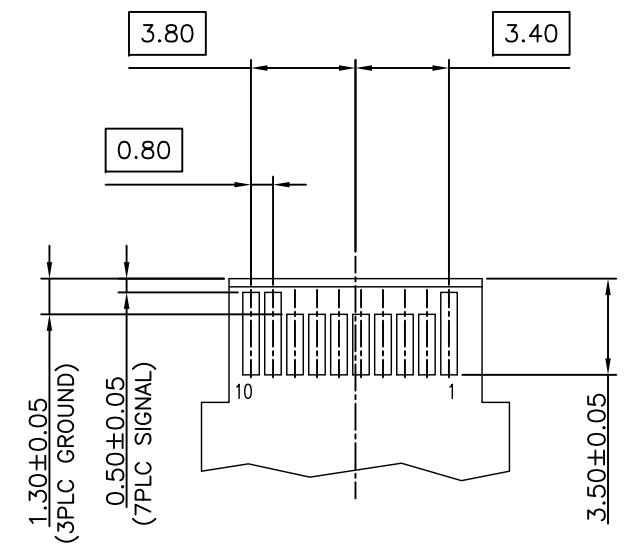
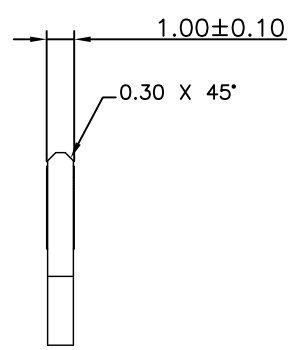
PRODUCT DRAWING © COPYRIGHT 2016 BY Htech CORPORATION

1 2 3 4 5 6 7 8

H
G
F
E
D
C
B
A



TOP VIEW OF BOARD



BOTTOM VIEW OF BOARD

RECOMMENDED LAYOUT DETAIL MATING TRANSCEIVER PCB

RoHS COMPLIANT

TITLE SFP&SFP+ 1X1 CONNECTOR				佛山市寰威通信科技有限公司				
PART NO. HT10-2C2100A-00C				GENERAL TOLERANCE			UNIT:MM	SIZE: A4
DRAW	Iror	DATE	2017-03-17	.X±0.20	.X±1°	SCALE: 1:1	SHEET:3/3	REV:A
CHECK	Iror	DATE	2017-03-17	.XX±0.15	.XX±5°			
APPROVE	Victor	DATE	2017-03-17	.XXX±0.10				