

NOTES:

MATERIAL:

CAGE: NICKEL SILVER

CONNECTOR:

PLASTIC HOUSING: HIGH TEMPERATURE LCP, UL94 V-0.

LIGHT PIPE: POLYCARBONATE; COLOR: CLEAR

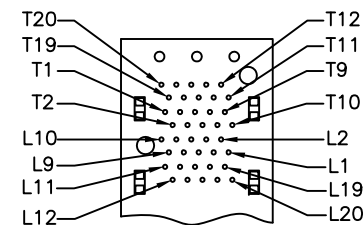
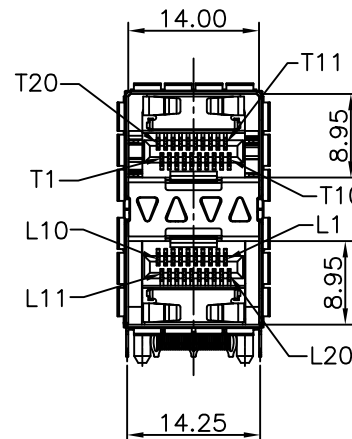
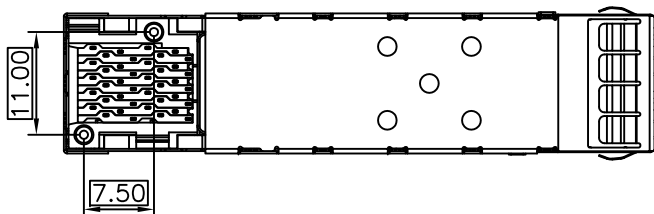
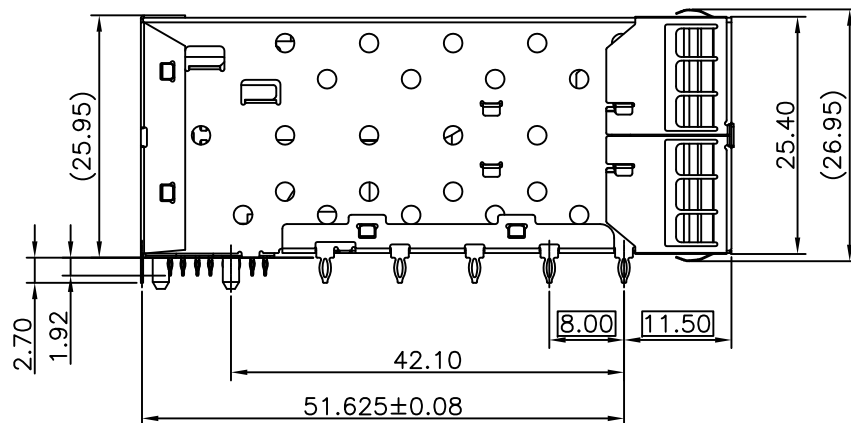
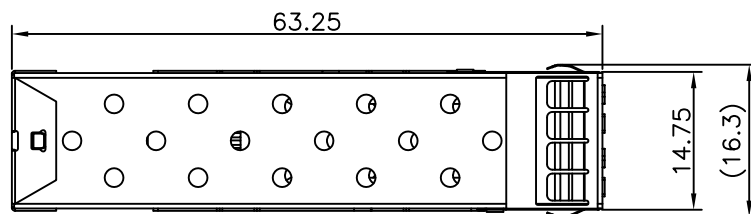
SPRING: STAINLESS STEEL

CONTACTS: PHOSPHOR BRONZE

CONTACT PLATING: 15u" MIN. GOLD ON MATING AREA,
150u" MATTE TIN ON SOLDER TAILS

PACKAGING: TRAY PACKAGING.

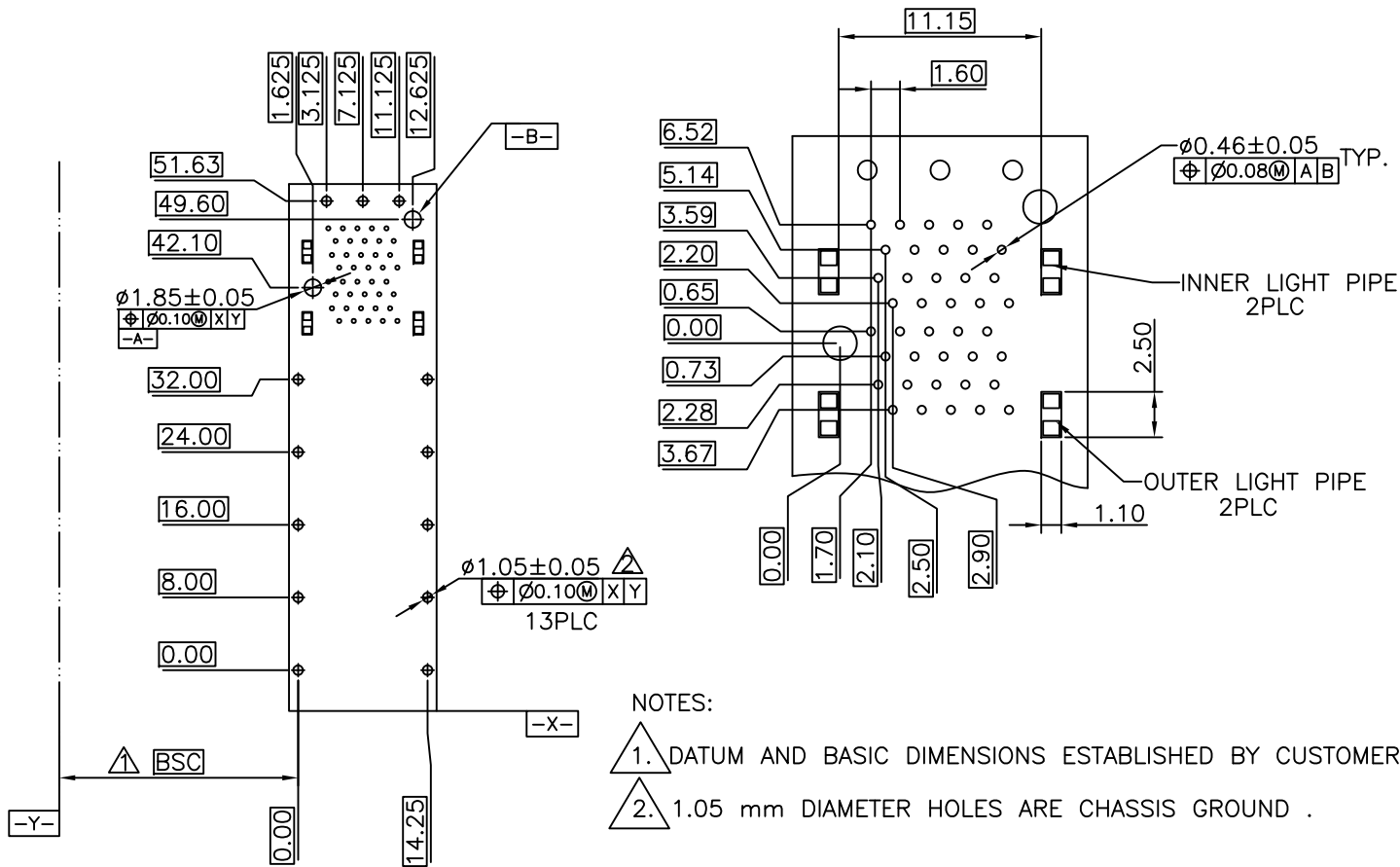
TEMPERATURE RANGE: -40°C TO +85°C



CONNECTOR PIN-OUT
COMPONENT SIDE OF BOARD

TITLE				佛山市寰威通信科技有限公司				
SFP+ 2X1 CAGE+CONNECTOR								
PART NO.				GENERAL TOLERANCE		UNIT:MM	SIZE: A4	
HT10-2N3A230-04B								
DRAW	IROR	DATE	2017-03-16	.X±0.20	.X±1'	SCALE: 1:1	SHEET:1/3	REV:A
CHECK	IROR	DATE	2017-03-16	.XX±0.15	.XX±5'			
APPROVE	DE	DATE	2017-03-16	.XXX±0.10				

RoHS COMPLIANT

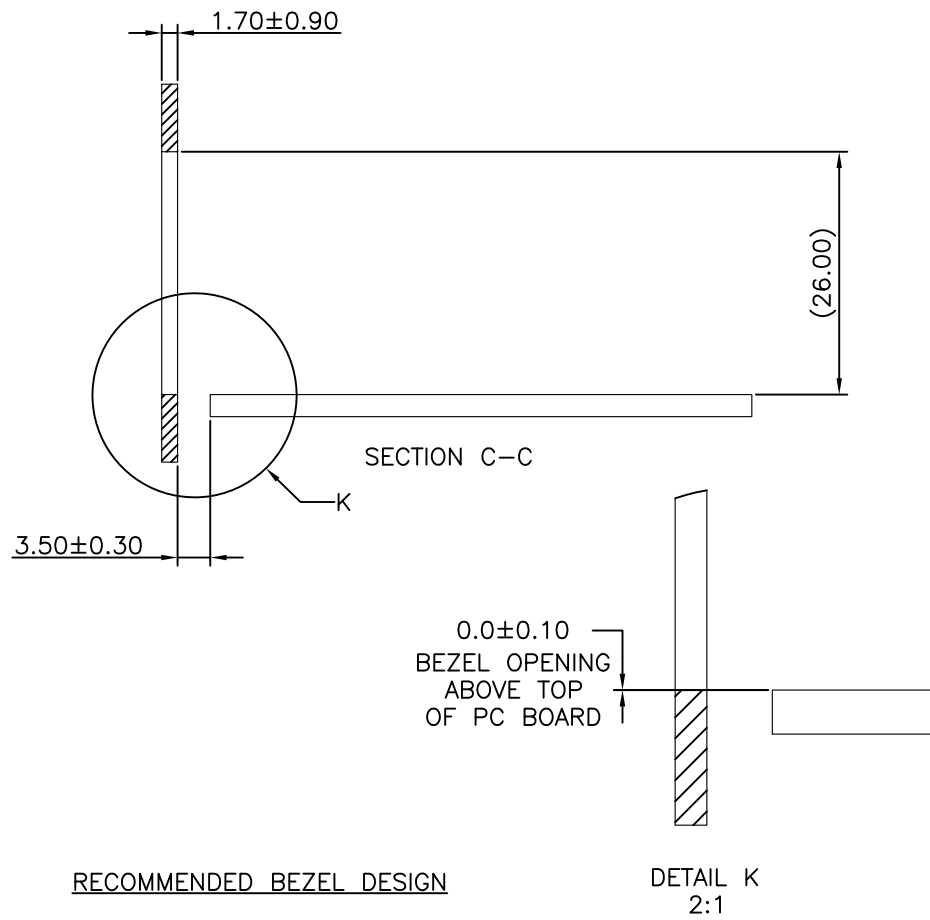
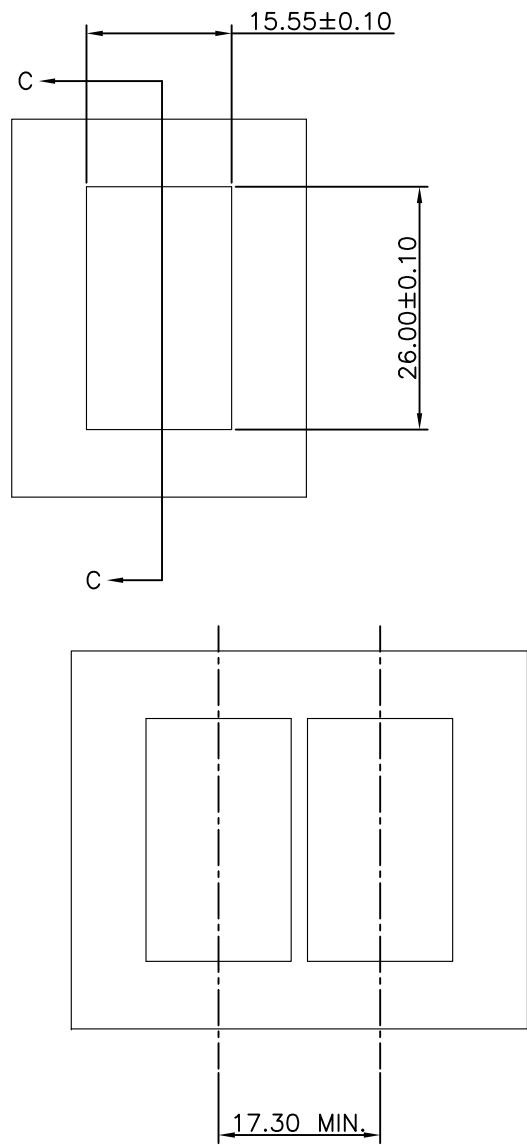


- NOTES:
1. DATUM AND BASIC DIMENSIONS ESTABLISHED BY CUSTOMER.
 2. 1.05 mm DIAMETER HOLES ARE CHASSIS GROUND .

RECOMMENDED PCB CONFIGURATION

TITLE SFP+ 2X1 CAGE+CONNECTOR				佛山市寰威通信科技有限公司				
PART NO. HT10-2N3A230-04B				GENERAL TOLERANCE			UNIT:MM	SIZE: A4
DRAW	IROR	DATE	2017-03-16	.X±0.20	.X±1'	SCALE: 1:1	SHEET:2/3	REV:A
CHECK	IROR	DATE	2017-03-16	.XX±0.15	.XX±5'			
APPROVE	DE	DATE	2017-03-16	.XXX±0.10				

RoHS COMPLIANT



RECOMMENDED BEZEL DESIGN

DETAIL K
2:1

RoHS COMPLIANT

TITLE SFP+ 2X1 CAGE+CONNECTOR				佛山市寰威通信科技有限公司				
PART NO. HT10-2N3A230-04B				GENERAL TOLERANCE			UNIT:MM	SIZE: A4
DRAW	IROR	DATE	2017-03-16	.X±0.20	.X±1'	SCALE: 1:1	SHEET:3/3	REV:A
CHECK	IROR	DATE	2017-03-16	.XX±0.15	.XX±5'			
APPROVE	DE	DATE	2017-03-16	.XXX±0.10				