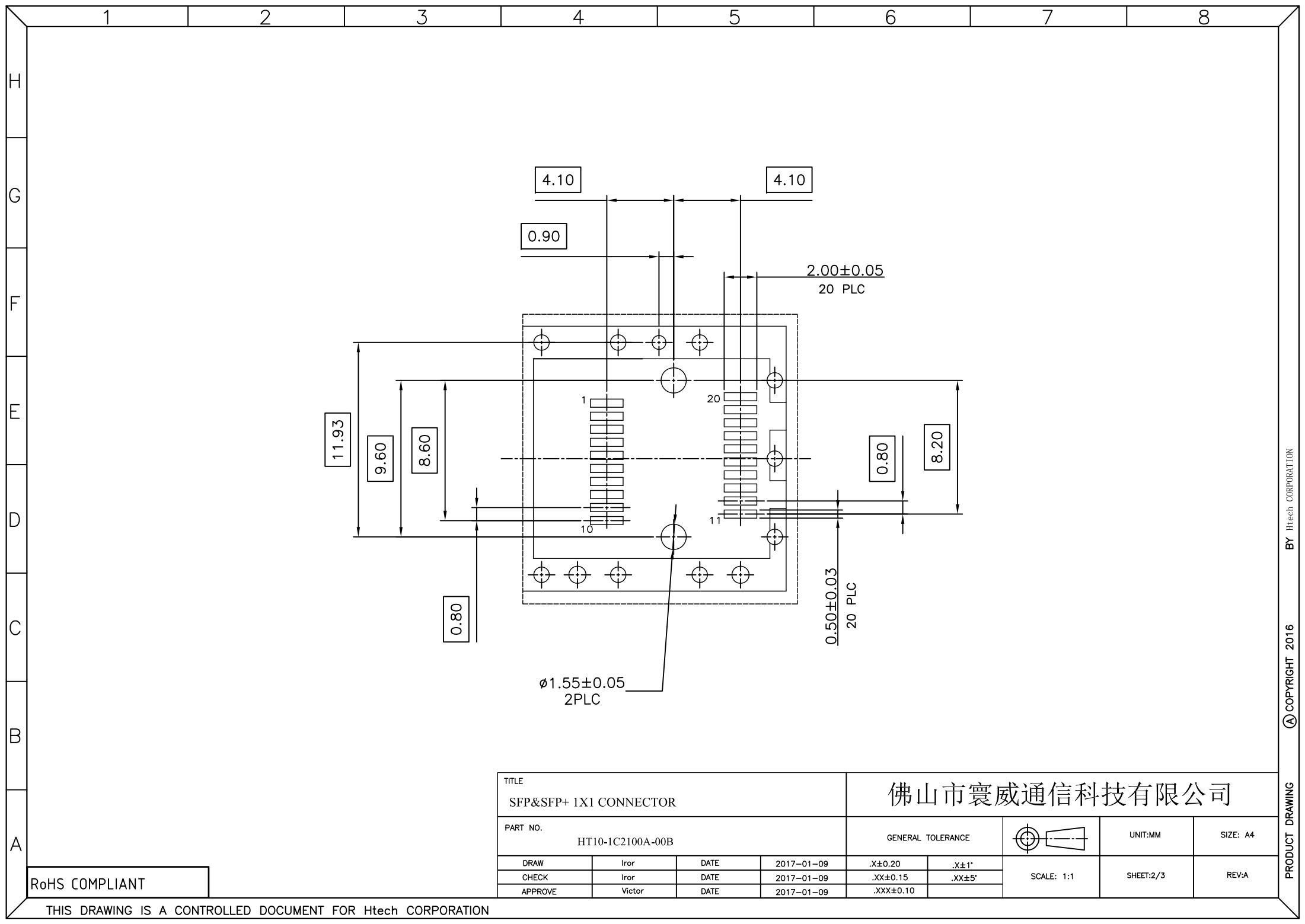


- NOTES:
- 1.MATERIAL  
HOUSING: HIGH TEMPERATURE LCP, UL94 V-0.  
2.CONTACTS: PHOSPHOR BRONZE  
PLATING :15 $\mu$ " GOLD ON MATING AREA,  
100 $\mu$ " MATTE TIN PLATING ON  
SOLDER TAILS, 50 $\mu$ " NICKEL  
UNDERPLATING OVERALL.
  - 3.PACKAGING: TAPE AND REEL
  - 4.TEMPERATURE RANGE: -55°C TO +85°C

RoHS COMPLIANT

TITLE				佛山市寰威通信科技有限公司							
SFP&SFP+ 1X1 CONNECTOR				PART NO.		GENERAL TOLERANCE		UNIT:MM		SIZE: A4	
HT10-1C2100A-00B											
DRAW	Iror	DATE	2017-01-09	.X±0.20	.X±1'	SCALE: 1:1		SHEET:1/3		REV:A	
CHECK	Iror	DATE	2017-01-09	.XX±0.15	.XX±5'						
APPROVE	Victor	DATE	2017-01-09	.XXX±0.10							

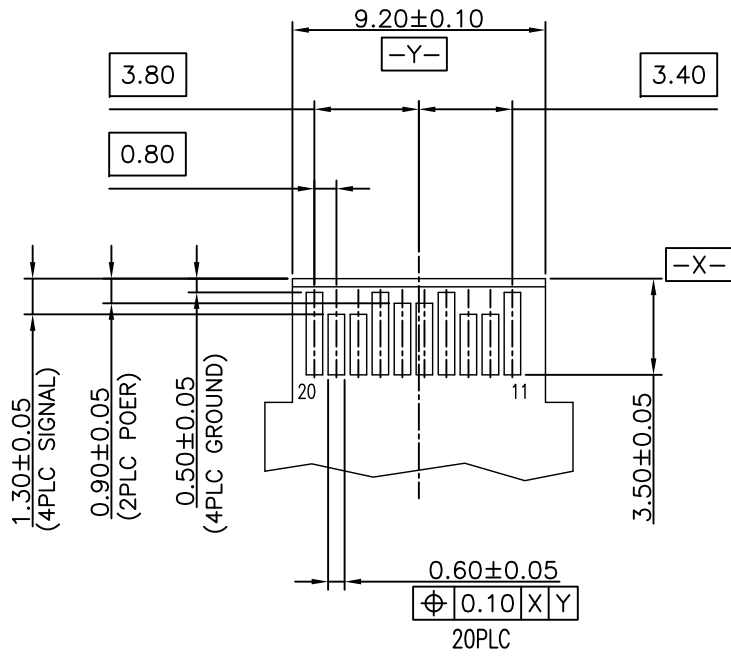


RoHS COMPLIANT

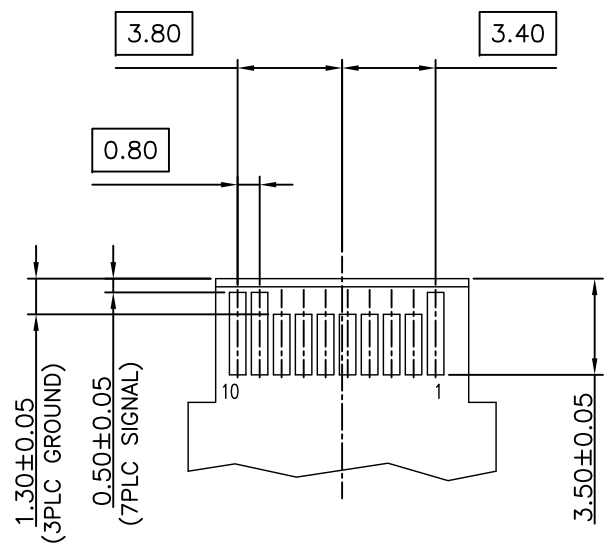
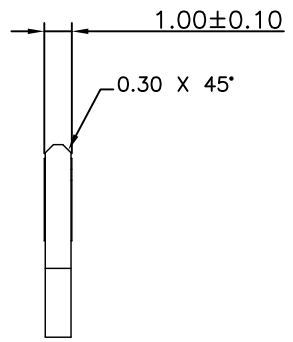
TITLE				佛山市寰威通信科技有限公司					
SFP&SFP+ 1X1 CONNECTOR				GENERAL TOLERANCE				UNIT:MM	SIZE: A4
PART NO.				SCALE: 1:1		SHEET:2/3		REV:A	
HT10-1C2100A-00B				.X±0.20		.X±1'			
DRAW	Iror	DATE	2017-01-09	.XX±0.15		.XX±5'			
CHECK	Iror	DATE	2017-01-09	.XXX±0.10					
APPROVE	Victor	DATE	2017-01-09						

THIS DRAWING IS A CONTROLLED DOCUMENT FOR Htech CORPORATION

BY Htech CORPORATION  
 © COPYRIGHT 2016  
 PRODUCT DRAWING



TOP VIEW OF BOARD



BOTTOM VIEW OF BOARD

RECOMMENDED LAYOUT DETAIL MATING TRANSCEIVER PCB

RoHS COMPLIANT

TITLE SFP&SFP+ 1X1 CONNECTOR				佛山市寰威通信科技有限公司					
PART NO. HT10-1C2100A-00B				GENERAL TOLERANCE			UNIT:MM	SIZE: A4	
DRAW	Iror	DATE	2017-01-09	.X±0.20	.X±1°	SCALE: 1:1	SHEET:3/3	REV:A	
CHECK	Iror	DATE	2017-01-09	.XX±0.15	.XX±5°				
APPROVE	Victor	DATE	2017-01-09	.XXX±0.10					