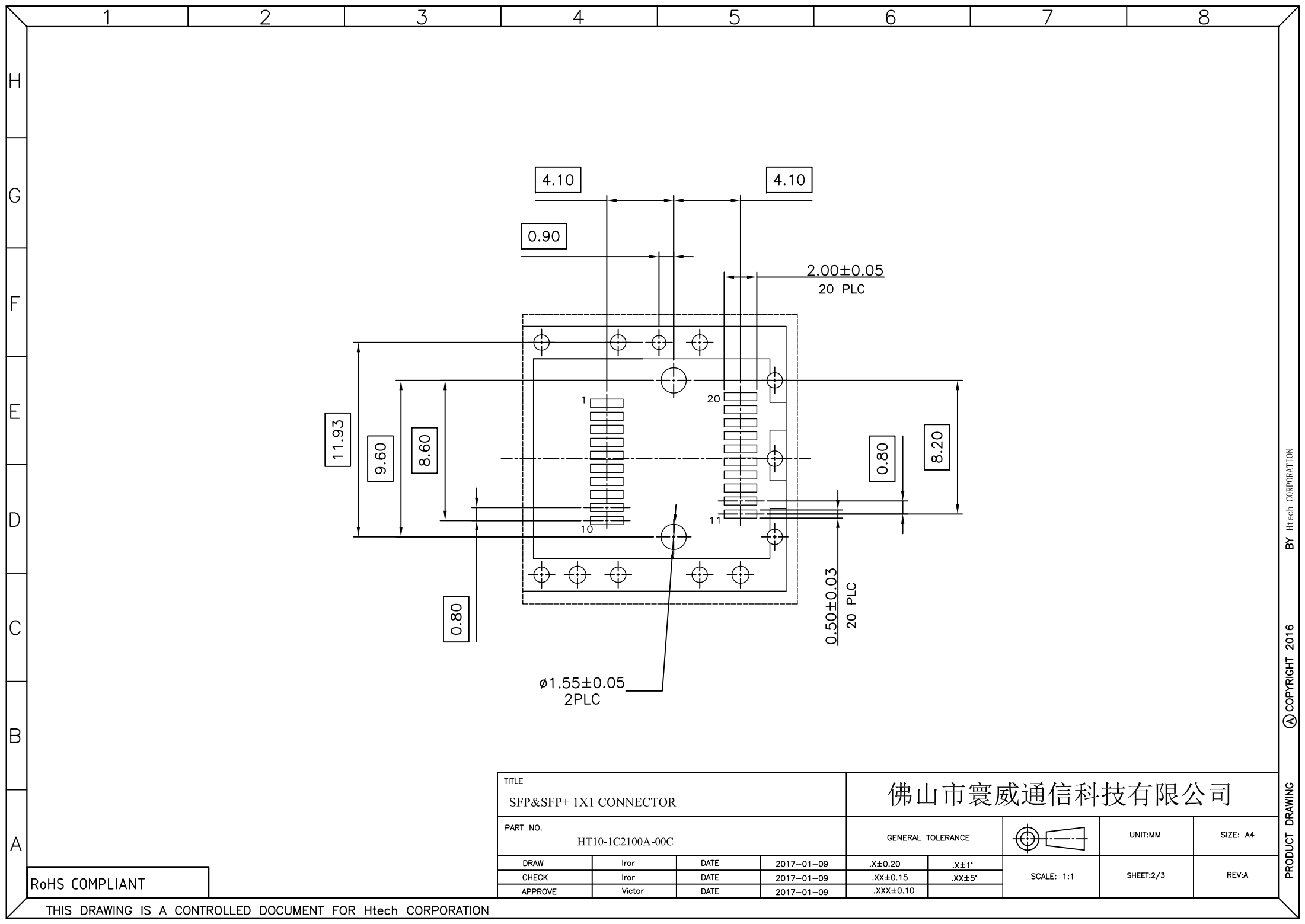


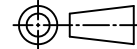
- NOTES:
- 1.MATERIAL
HOUSING: HIGH TEMPERATURE LCP, UL94 V-0.
2.CONTACTS: PHOSPHOR BRONZE
PLATING :30 μ " GOLD ON MATING AREA,
100 μ " MATTE TIN PLATING ON
SOLDER TAILS, 50 μ " NICKEL
UNDERPLATING OVERALL.
 - 3.PACKAGING: TAPE AND REEL
 - 4.TEMPERATURE:
OPERATION : -40°C TO +85°C
STORAGE : -55°C TO +105°C

RoHS COMPLIANT

TITLE				佛山市寰威通信科技有限公司					
SFP&SFP+ 1X1 CONNECTOR				PART NO.		GENERAL TOLERANCE		UNIT:MM	SIZE: A4
HT10-1C2100A-00C								SCALE: 1:1	SHEET:1/3
DRAW	Iror	DATE	2017-01-09	.X±0.20	.X±1'		REVA	REV:A	
CHECK	Iror	DATE	2017-01-09	.XX±0.15	.XX±5'				
APPROVE	Victor	DATE	2017-01-09	.XXX±0.10					

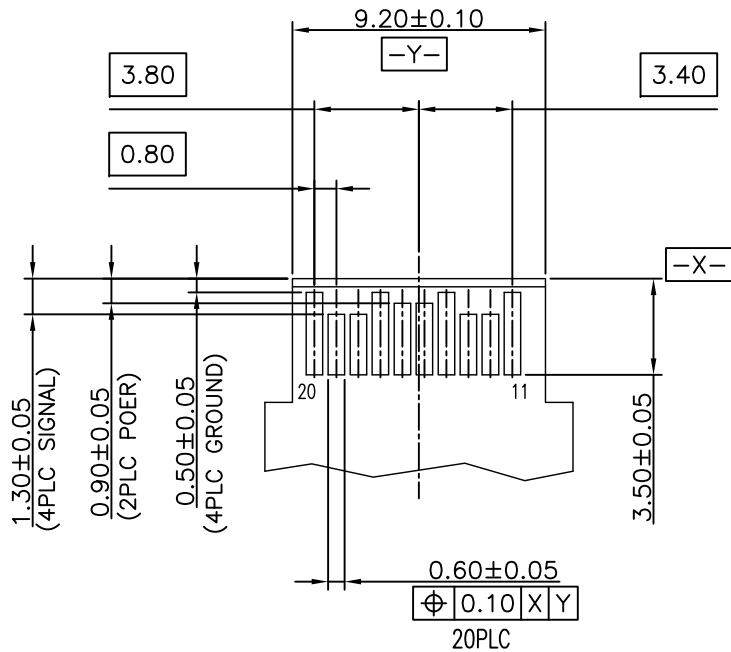


RoHS COMPLIANT

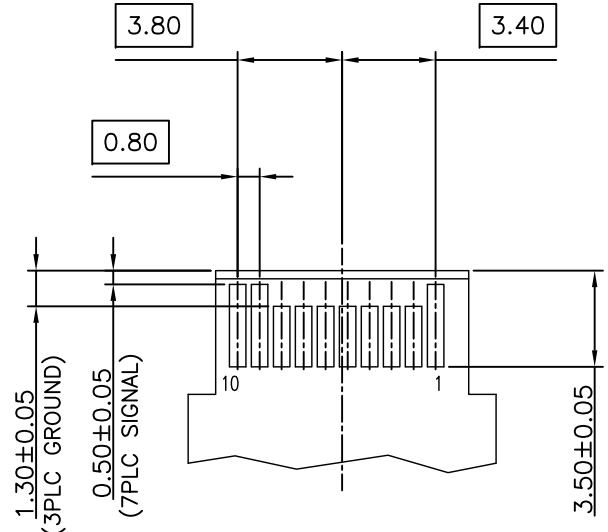
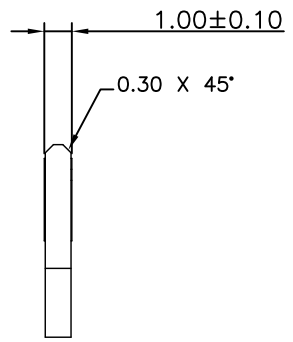
TITLE				佛山市寰威通信科技有限公司							
SFP&SFP+ 1X1 CONNECTOR				PART NO.		GENERAL TOLERANCE				UNIT:MM	SIZE: A4
HT10-1C2100A-00C				DRAW		DATE		SCALE: 1:1		SHEET:2/3	
Iror		2017-01-09		.X±0.20		.X±1'		REVA			
Iror		2017-01-09		.XX±0.15		.XX±5'					
Victor		2017-01-09		.XXX±0.10							

THIS DRAWING IS A CONTROLLED DOCUMENT FOR Htech CORPORATION

BY Htech CORPORATION © COPYRIGHT 2016 PRODUCT DRAWING



TOP VIEW OF BOARD



BOTTOM VIEW OF BOARD

RECOMMENDED LAYOUT DETAIL MATING TRANSCEIVER PCB

RoHS COMPLIANT

TITLE SFP&SFP+ 1X1 CONNECTOR				佛山市寰威通信科技有限公司				
PART NO. HT10-1C2100A-00C				GENERAL TOLERANCE			UNIT:MM	SIZE: A4
DRAW	Iror	DATE	2017-01-09	.X±0.20	.X±1°	SCALE: 1:1	SHEET:3/3	REV:A
CHECK	Iror	DATE	2017-01-09	.XX±0.15	.XX±5°			
APPROVE	Victor	DATE	2017-01-09	.XXX±0.10				