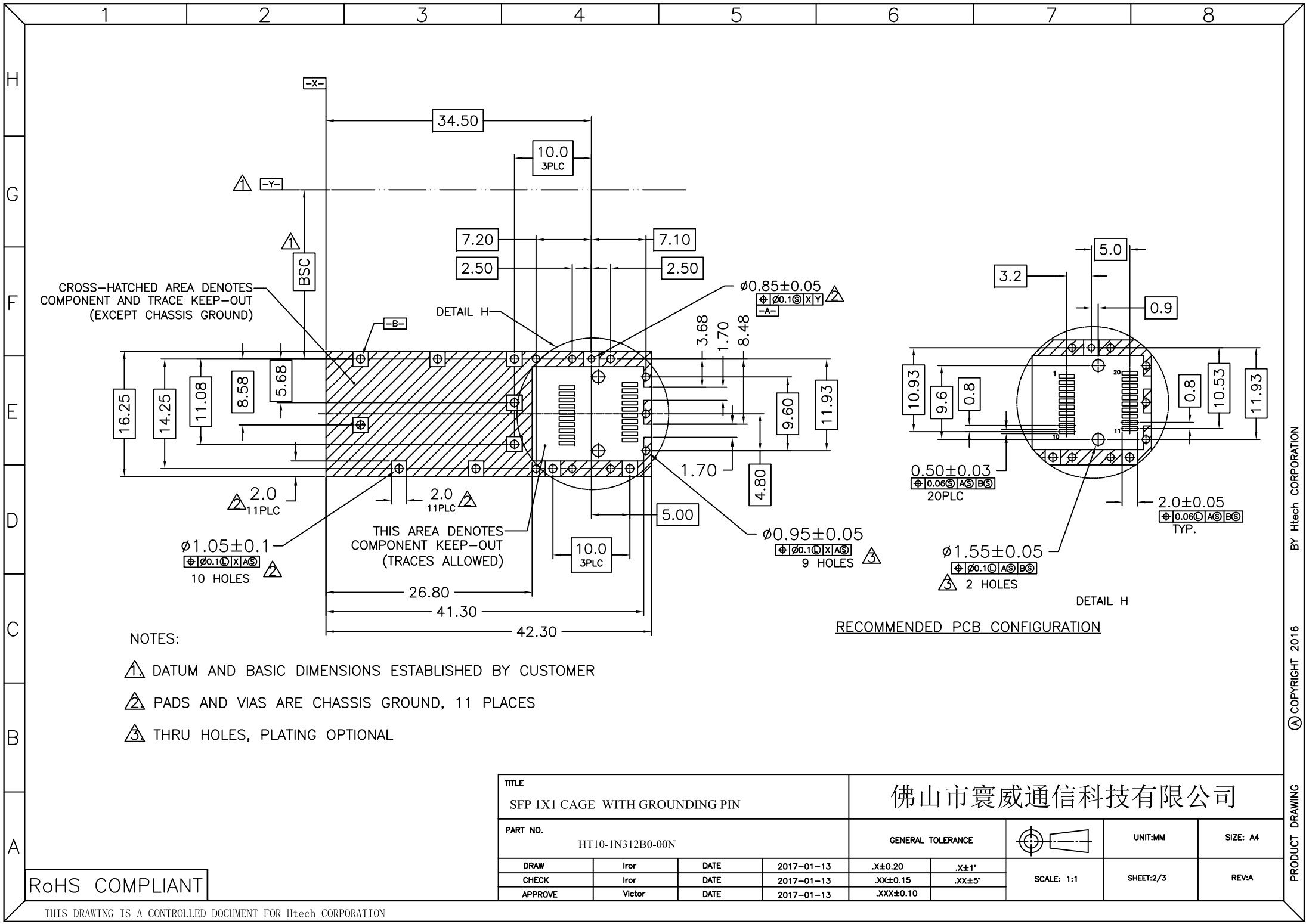


- NOTES:
- 1.MATERIAL: NICKEL SILVER, THICKNESS 0.25mm
 - 2.PACKAGING: TRAY PACKAGING
 - 3.TEMPERATURE RANGE: -55°C TO +85°C

TITLE				佛山市寰威通信科技有限公司					
SFP 1X1 CAGE WITH GROUNDING PIN									
PART NO.				GENERAL TOLERANCE				UNIT:MM	SIZE: A4
HT10-1N312B0-00N									
DRAW	Iror	DATE	2017-01-13	.X±0.20	.X±1'	SCALE: 1:1		SHEET:1/3	REV:A
CHECK	Iror	DATE	2017-01-13	.XX±0.15	.XX±5'				
APPROVE	Victor	DATE	2017-01-13	.XXX±0.10					

RoHS COMPLIANT



CROSS-HATCHED AREA DENOTES COMPONENT AND TRACE KEEP-OUT (EXCEPT CHASSIS GROUND)

THIS AREA DENOTES COMPONENT KEEP-OUT (TRACES ALLOWED)

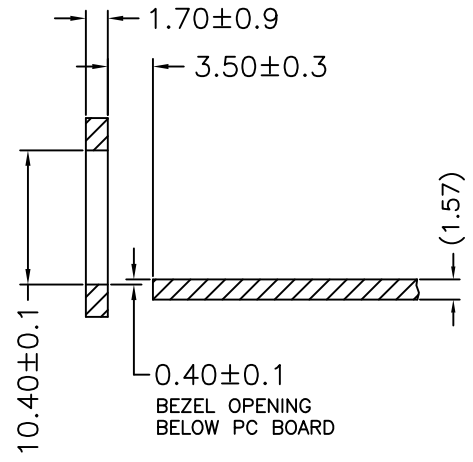
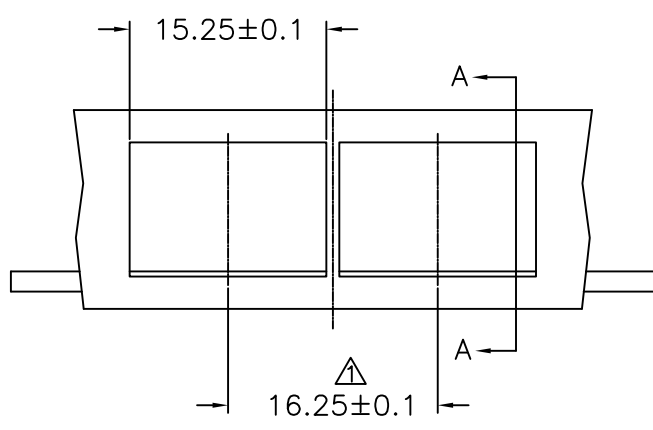
NOTES:

- △ DATUM AND BASIC DIMENSIONS ESTABLISHED BY CUSTOMER
- △ PADS AND VIAS ARE CHASSIS GROUND, 11 PLACES
- △ THRU HOLES, PLATING OPTIONAL

RECOMMENDED PCB CONFIGURATION

TITLE SFP 1X1 CAGE WITH GROUNDING PIN				佛山市寰威通信科技有限公司				
PART NO. HT10-1N312B0-00N				GENERAL TOLERANCE			UNIT:MM	SIZE: A4
DRAW	Iror	DATE	2017-01-13	.X±0.20	.X±1'	SCALE: 1:1	SHEET:2/3	REV:A
CHECK	Iror	DATE	2017-01-13	.XX±0.15	.XX±5'			
APPROVE	Victor	DATE	2017-01-13	.XXX±0.10				

RoHS COMPLIANT



SECTION A-A

RECOMMENDED BEZEL DESIGN

NOTES:
 ⚠ MINIMUM PITCH ILLUSTRATED, ENGLISH DIMENSIONS ARE FOR REFERENCE ONLY

TITLE				佛山市寰威通信科技有限公司							
SFP 1X1 CAGE WITH GROUNDING PIN				PART NO.		GENERAL TOLERANCE		UNIT:MM		SIZE: A4	
HT10-1N312B0-00N				DRAW		CHECK		APPROVE		SCALE: 1:1	
Iror		DATE		2017-01-13		.X±0.20		.X±1'		SHEET:3/3	
Iror		DATE		2017-01-13		.XX±0.15		.XX±5'		REV:A	
Victor		DATE		2017-01-13		.XXX±0.10					

RoHS COMPLIANT