

NOTES:

- 1.MATERIAL: NICKEL SILVER, THICKNESS 0.25mm
- 2.PACKAGING: TRAY PACKAGING
- 3.TEMPERATURE RANGE: -55°C TO +85°C

TITLE				佛山市寰威通信科技有限公司					
SFP 1X2 CAGE									
PART NO.				GENERAL TOLERANCE			UNIT:MM	SIZE: A4	
HT10-1N322D0-00N									
DRAW	Iror	DATE	2017-01-13	.X±0.20	.X±1'	SCALE: 1:1		SHEET:1/2	REV:A
CHECK	Iror	DATE	2017-01-13	.XX±0.15	.XX±5'				
APPROVE	Victor	DATE	2017-01-13	.XXX±0.10					

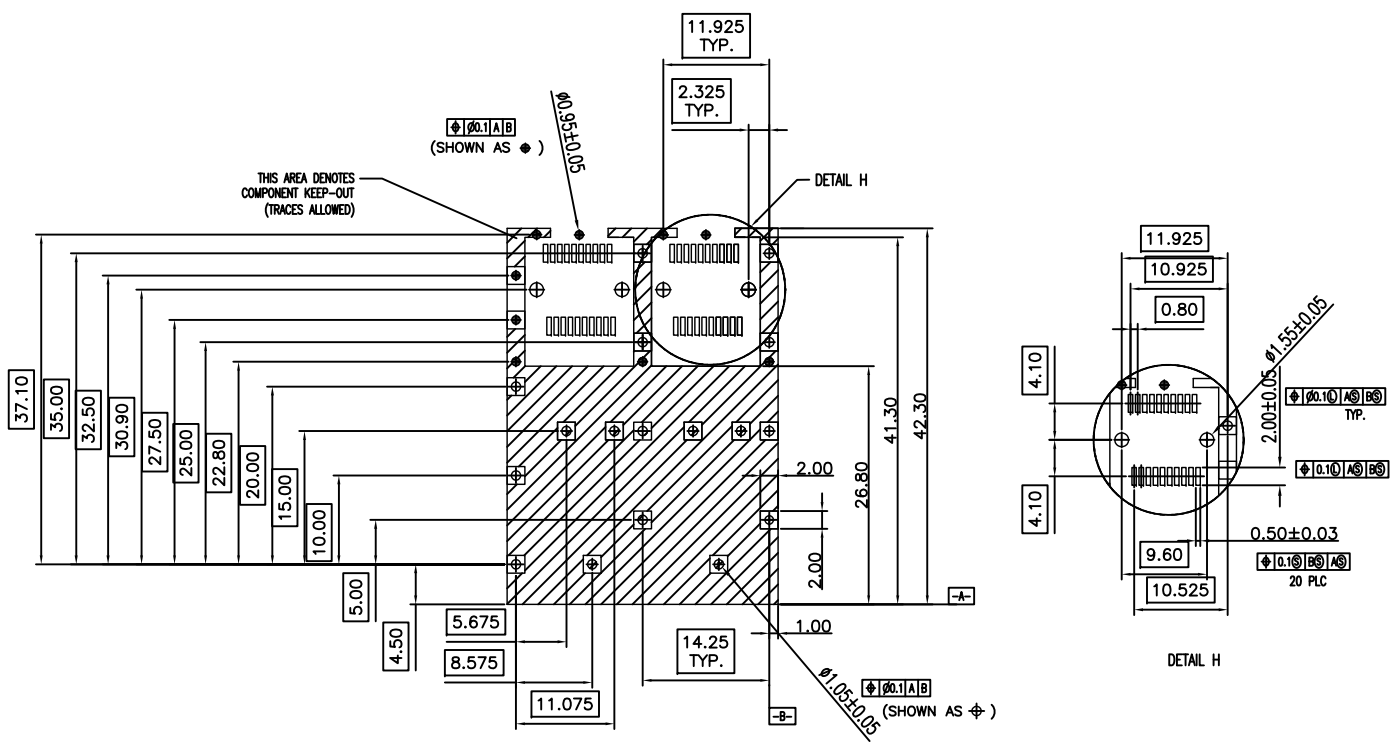
RoHS COMPLIANT

PRELIMINARY

THIS DRAWING IS A CONTROLLED DOCUMENT FOR Htech CORPORATION

1 2 3 4 5 6 7 8

H
G
F
E
D
C
B
A



PCB LAYOUT FOR SINGLE SIDE MOUNTING

TITLE				佛山市寰威通信科技有限公司			
SFP 1X2 CAGE							
PART NO.				GENERAL TOLERANCE		UNIT:MM	SIZE: A4
HT10-1N322D0-00N						SCALE: 1:1	SHEET:2/2
DRAW	Iror	DATE	2017-01-13	.X±0.20	.X±1'		REV:A
CHECK	Iror	DATE	2017-01-13	.XX±0.15	.XX±5'		
APPROVE	Victor	DATE	2017-01-13	.XXX±0.10			

RoHS COMPLIANT

PRELIMINARY

THIS DRAWING IS A CONTROLLED DOCUMENT FOR Htech CORPORATION

By Htech CORPORATION
COPYRIGHT 2016
PRODUCT DRAWING